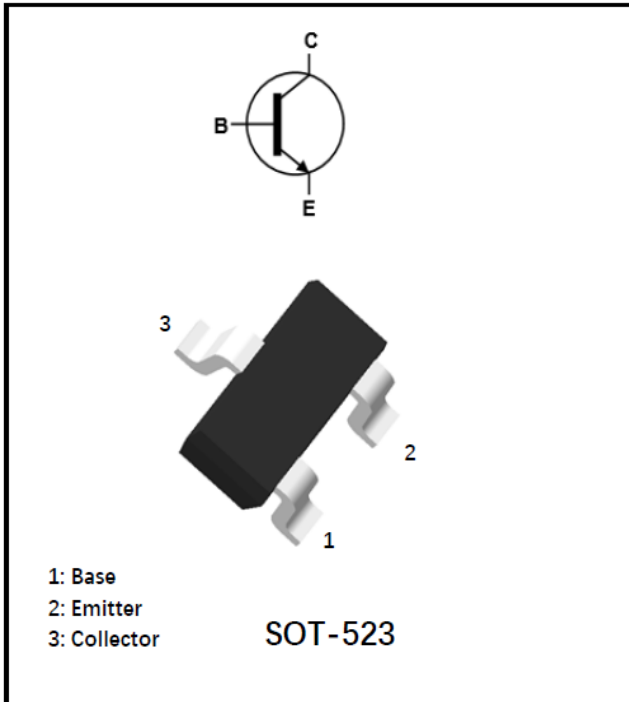


NPN Transistor



Features

- Moisture Sensitivity Level 1
- Surface mount package ideally Suited for Automatic Insertion
- Halogen-free

Mechanical Data

- **Package:** SOT-523
- **Terminals:** Tin plated leads, solderable per J-STD-002 and JESD22-B102
- **Marking:**

BC846AT	1A
BC846BT	1B
BC847AT	1E
BC847BT	1F
BC847CT	1G
BC848AT	1J
BC848BT	1K
BC848CT	1L

■Maximum Ratings (Ta=25°C Unless otherwise specified)

Symbol	Parameter	Value	Unit
VCBO	Collector-Base Voltage	BC846T	80
		BC847T	50
		BC848T	30
VCEO	Collector-Emitter Voltage	BC846T	65
		BC847T	45
		BC848T	30
VEBO	Emitter-Base Voltage	BC846T	6
		BC847T	6
		BC848T	5
IC	Collector Current	100	mA
PC	Collector Power Dissipation	150	mW
RθJA	Thermal Resistance From Junction To Ambient	833	°C/W
Tj	Junction Temperature	150	°C
Tstg	Storage Temperature	-55~+150	°C



BC846T/BC847T/BC848T

■ Electrical Characteristics (Ta=25°C unless otherwise specified)

Parameter	Symbol	Test conditions	Min	Max	Unit
Collector-base breakdown voltage BC846T BC847T BC848T	V _{CB0}	IC=10μA, IE=0	80 50 30	-	V
Collector-emitter breakdown voltage BC846T BC847T BC848T	V _{CEO}	IC=10mA, IB=0	65 45 30	-	V
Emitter-base breakdown voltage BC846T BC847T BC848T	V _{EBO}	IE=10μA, IC=0	6 6 5	-	V
Collector-base cut-off current	I _{CB0}	V _{CB} =30 V, IE=0	-	15	nA
Emitter-base cut-off current	I _{EBO}	VEB=5V, IC=0	-	100	nA
DC current gain BC846A,847A,848A BC846B,847B,848B BC847C,BC848C	h _{FE}	V _{CE} =5V, IC= 2mA	110 200 420	220 450 800	
Collector-emitter saturation voltage	V _{CE(sat)}	IC=10mA, IB= 0.5mA	-	0.25	V
Collector-emitter saturation voltage	V _{CE(sat)}	IC=100mA, IB= 5mA	-	0.6	V
Base-emitter saturation voltage	V _{BE(sat)}	IC=10mA, IB=0.5mA	-	0.9	V
Base-emitter saturation voltage	V _{BE(sat)}	IC=100mA, IB=5mA	-	1.1	V
Base-emitter voltage	V _{BE(ON)}	V _{CE} =5V, IC=2mA	0.58	0.7	V
Base-emitter voltage	V _{BE(ON)}	V _{CE} =5V, IC=10mA	-	0.77	V
Transition frequency	f _T	V _{CE} =5V, IC=10mA f=100MHz	100	-	MHz

■ Ordering Information (Example)

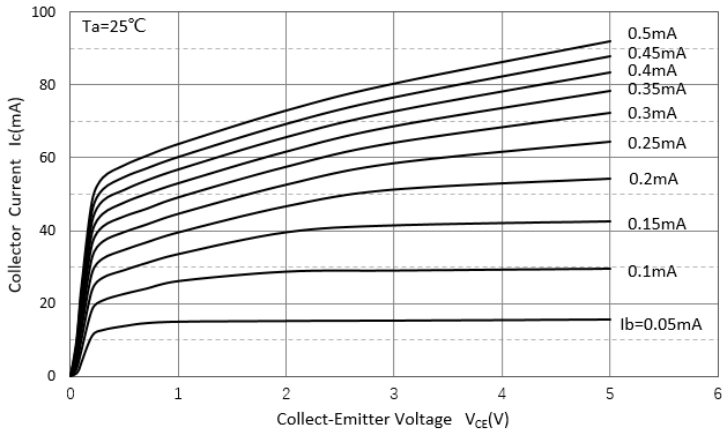
Prefered P/N	Packing Code	Unit Weight(G)	Minimum Package(Pcs)	Inner Box Quantity(Pcs)	Outer Carton Quantity(Pcs)	Delivery Mode
BC846T/BC847T/BC848T	F2	Approximate 0.0027	3000	30000	120000	7" reel



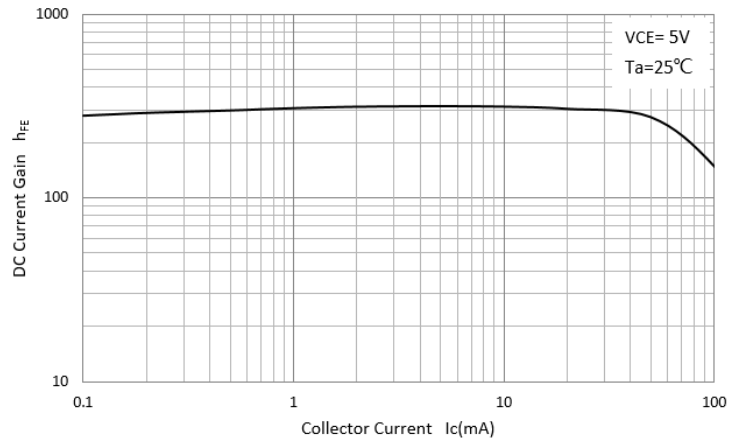
BC846T/BC847T/BC848T

■ Characteristics (Typical)

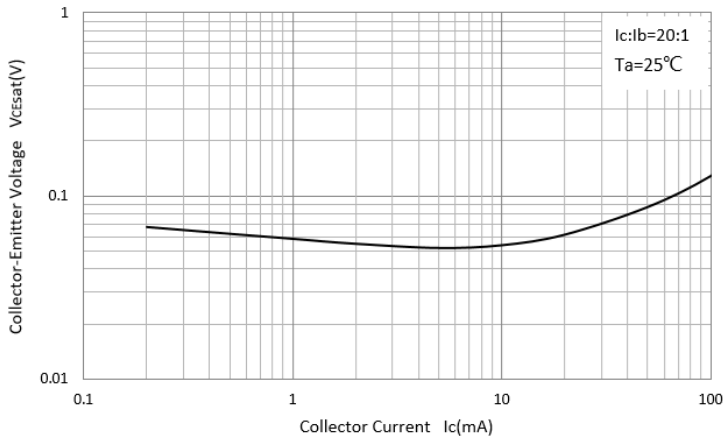
Static Characteristic



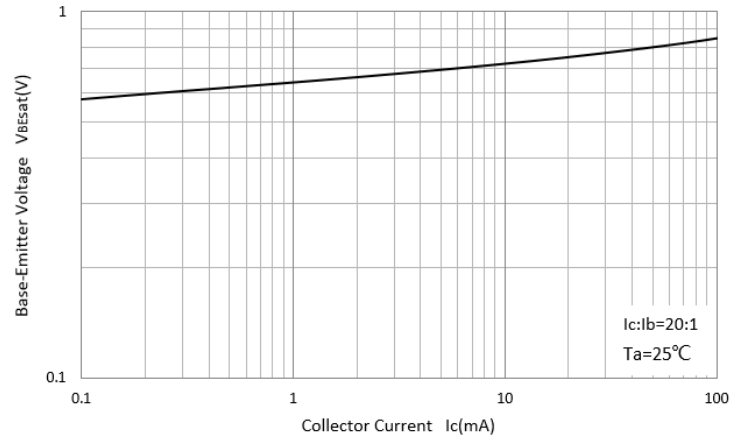
DC Current Gain



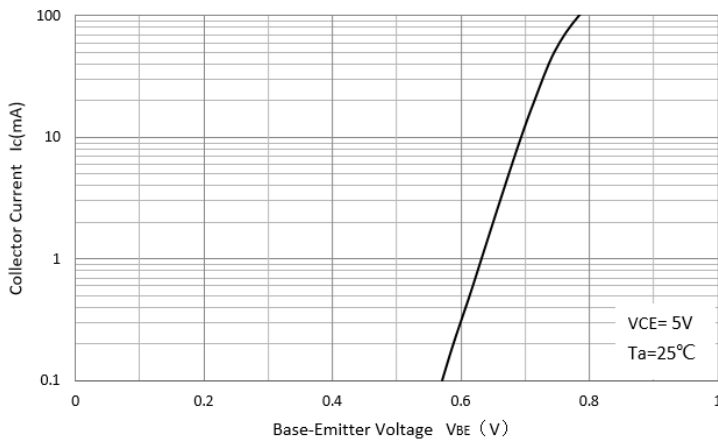
Collector-Emmitter Saturation Voltage



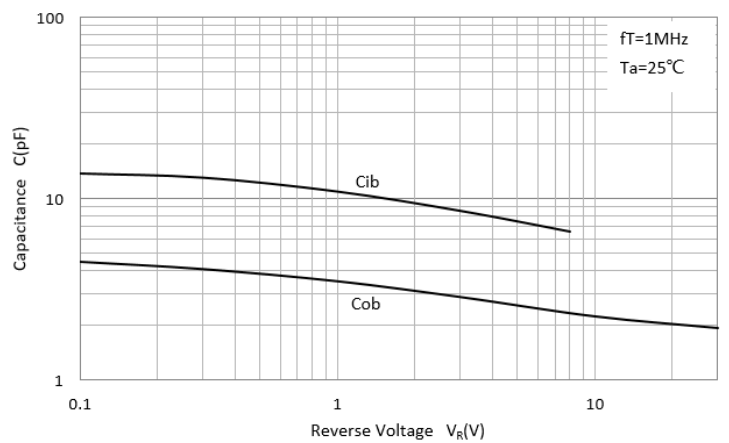
Base-Emmitter Saturation Voltage



Base-Emmitter On Voltage



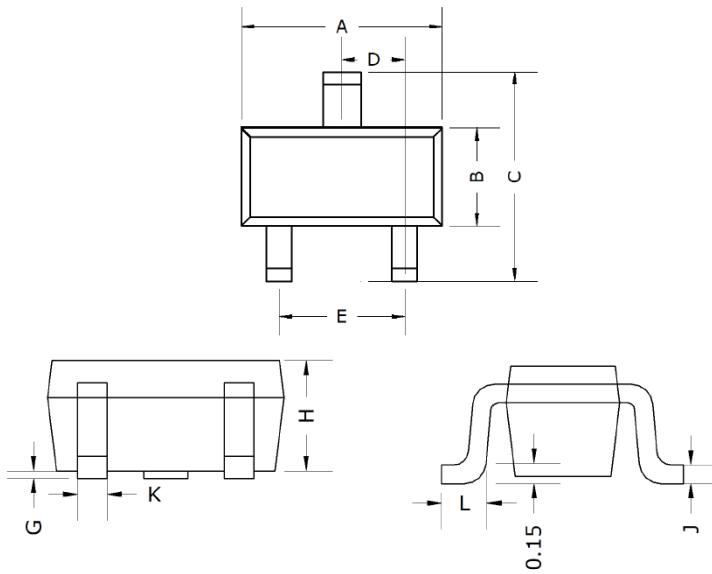
$C_{ob}/C_{ib}-V_{CB}/V_{EB}$





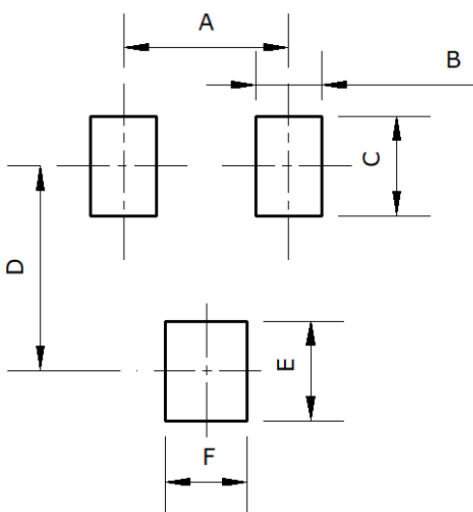
BC846T/BC847T/BC848T

■ SOT-523 Package Outline Dimensions



DIMENSIONS				
DIM	INCHES		MM	
	MIN	MAX	MIN	MAX
A	0.059	0.067	1.50	1.70
B	0.030	0.033	0.75	0.85
C	0.057	0.069	1.45	1.75
D	0.020TYP		0.50TYP	
E	0.035	0.043	0.90	1.10
G	0.000	0.004	0.00	0.10
H	0.024	0.031	0.60	0.80
J	0.004	0.008	0.10	0.20
K	0.006	0.014	0.15	0.35
L	0.010	0.018	0.26	0.46

■ SOT-523 Suggested Pad Layout



DIMENSIONS	
DIM	MM (TYP)
A	1.00
B	0.40
C	0.60
D	1.24
E	0.60
F	0.50



BC846T/BC847T/BC848T

Disclaimer

The information presented in this document is for reference only. Yangzhou Yangjie Electronic Technology Co., Ltd. reserves the right to make changes without notice for the specification of the products displayed herein to improve reliability, function or design or otherwise.

The product listed herein is designed to be used with ordinary electronic equipment or devices, and not designed to be used with equipment or devices which require high level of reliability and the malfunction of which would directly endanger human life (such as medical instruments, transportation equipment, aerospace machinery, nuclear-reactor controllers, fuel controllers and other safety devices), Yangjie or anyone on its behalf, assumes no responsibility or liability for any damages resulting from such improper use of sale.

This publication supersedes & replaces all information previously supplied. For additional information, please visit our website [http:// www.21yangjie.com](http://www.21yangjie.com) , or consult your nearest Yangjie's sales office for further assistance.